

## Resilient Seated Gripper Valves

Derwent Resilient Seated Gripper Valves for PE, made in conjunction with AFC, are manufactured to AS/NZS 2638.2. The Gate Valves are light weight and applicable for water and waste water applications. Valves are available in both Anticlockwise and Clockwise configuration. Valves are supplied with Key Cap as standard, Hand Wheel is optional.

### Features:

- Ductile Iron body and bonnet to AS 1831.
- Wedge is Ductile Iron AS 1831, fully encapsulated (Vulcanized) EPDM Rubber to AS1646 and AS681.1.
- Forged Stem: 431 Stainless Steel to ASTM A276, providing excellent corrosion and strength, reducing moving parts.
- Bolts are all 316 Stainless Steel to ASTM A276, hot melt encapsulated for superior corrosion resistance in harsh environments.
- Fusion Bonded Epoxy coated to AS/NZS 4158 provides the valve excellent corrosion protection.
- Valves are available in both Anticlockwise and Clockwise configuration. Valves are supplied with Key Cap as standard, Hand Wheel is optional.
- The wedge is designed with abrasion resistant nylon guides which reduce the required opening and closing torque through smooth operation.



### Applications:

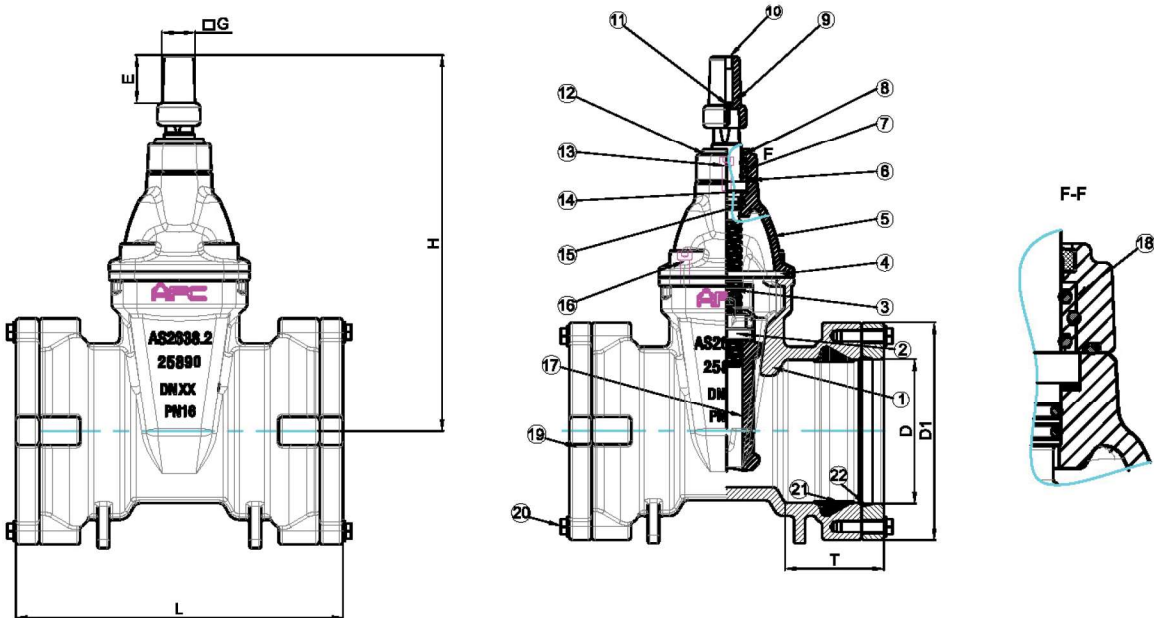
The Derwent International Gate Valves are for use in Potable Water, Waste Water, Fire, Irrigation, Water Circulation and Heating and Cooling applications and are suitable for both above and below ground installation.

### Technical Information:

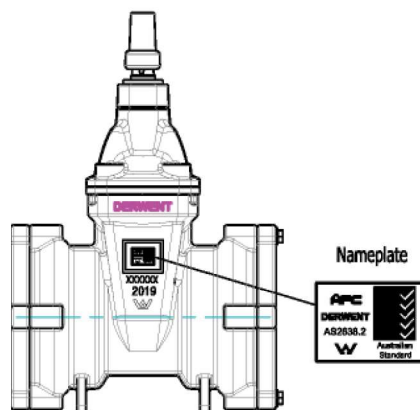
Size range:	DN 80 - DN 300 (DN125 and 180 now available, other sizes Mid 2021)
Allowable Operating Pressure:	1600 kPa; 1.6 Mpa
Maximum Test Pressure:	2400 kPa, 2.4 Mpa
Maximum Temperature:	40 Deg C
Certification:	SAI Global
StandardsMark:	SMK25890
WSAA:	PA 1511

**Parts List**

No	Part	Material	Material Grade	Standard
1	Body	Ductile Iron	GJS 500-7	AS 1831
2	Wedge Nut	Bronze	C62300	AS/NZS 1568
3	Stem	Stainless Steel	SS 431	ASTM A276
4	Gasket	Rubber	EPDM	AS 1646 and AS 681.1
5	Bonnet	Ductile Iron	GJS 500-7	AS 1831
6	O-Ring	Rubber	NBR	AS 1646 and AS 681.1
7	O-ring	Rubber	NBR	AS 1646 and AS 681.1
8	Dust Wiper	Rubber	NBR	AS 1646 and AS 681.1
9	Cap	Ductile Iron	GJS 500-7	AS 1831
10	Cap Cover	Plastic		
11	In Hex Bolt	Stainless Steel	SS 316	ASTM A276
12	Gland	Ductile Iron	GJS 500-7	AS 1831
13	In Hex Bolt	Stainless Steel	SS 316	ASTM A276
14	Bushing	Bronze	C62300	AS/NZS 1567
15	O-ring	Rubber	NBR	AS 1646 and AS 681.1
16	In Hex Bolt	Stainless Steel	SS 316	ASTM A276
17	Wedge	Ductile Iron + Vulcanized Rubber (nylon guide)	GJS 500-7 + EPDM	AS 1831 + AS 1646 and AS 681.1
18	Retainer	Bronze	C62300	AS/NZS 1567
19	Bracket	Ductile Iron	QT450-12	AS 1831
20	Hex Bolt	Stainless Steel	SS 316	ASTM A276
21	Tensile Sealing Ring	Rubber	EPDM	AS 1646 and AS 681.1
22	Grip Ring	Brass	CuZn36Pb2As (CW602N)	



Dimensions								
								unit: mm
DN	PE	L	H	D	D1	T	E	G
80	90	260	311	93	170	88	50	35
100	110	280	340	113	180	88	50	35
	125	290	340	128	194	88	50	35
125	125	300	386	128	195	90	50	35
	140	310	386	143	212	96	50	35
150	160	340	430	164	240	108	50	35
	180	350	430	164	258	118	50	35
200	200	366	550	203	284	128	50	35
	225	366	550	228	314	130	50	35
250	250	400	628	253	347	147	50	35
	280	420	628	284	376	150	50	35
300	315	472	703	318	422	176	50	35
	355	687	703	358	470	237	50	35



**Product Guide - (ACC displayed CC available)**

Size	Code (ACC)	Description (ACC)
80	VPEPE90ACC	90mm PE / PE Gate Valve ACC
100	VPEPE110ACC	110mm PE / PE Gate Valve ACC
100	VPEPE125ACC	125mm PE / PE Gate Valve ACC
150	VPEPE160ACC	160mm PE / PE Gate Valve ACC
150	VPEPE180ACC	180mm PE / PE Gate Valve ACC
200	VPEPE200ACC	200mm PE / PE Gate Valve ACC
200	VPEPE225ACC	225mm PE / PE Gate Valve ACC
250	VPEPE250ACC	250mm PE / PE Gate Valve ACC
250	VPEPE280ACC	280mm PE / PE Gate Valve ACC
300	VPEPE315ACC	315mm PE / PE Gate Valve ACC
300	VPEPE355ACC	355mm PE / PE Gate Valve ACC

