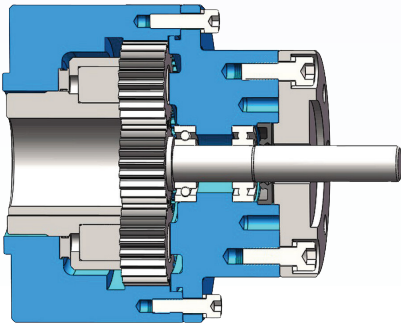


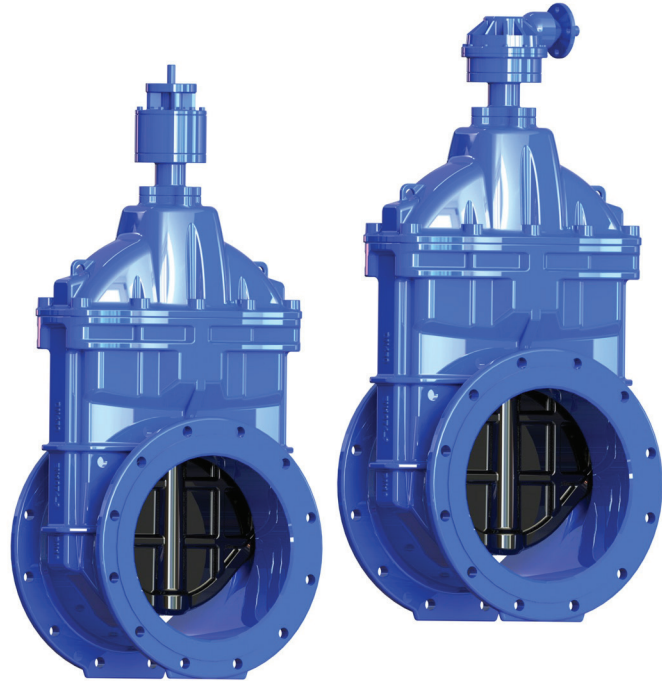
FEATURES

- Ductile Iron Body and top.
- Bolts, Nuts and washers - 316 SS
- Available in either Blue for ACC or Red for CC applications.
- Fusion coating provides the Gear Box with excellent corrosion protection.
- Bevel Version - Grease Filled
- Side Handle
- Epicyclic – Vertical spindle
- Applicable for extension spindle addition to Key cap



Gear Boxes – Bevel & Epicyclic Gear

Derwent Gear Boxes, made in conjunction with AFC. Connection to ISO5210 and manufactured to ISO9001:2008. The Gear Boxes are rated IP67 and reduce the required torque by approximately 75%.



APPLICATIONS

The Derwent International Gear Boxes are for use with Derwent RSGV's and are available in Blue (ACC) or Red (CC). The Gear Boxes direct mount to our ISO mounting plates, which are fitted as standard on our DN400 RSGV's and above.

TECHNICAL INFORMATION

For drawings detailing the gear box and valve, please do not hesitate to contact us.

Distributed By: Derwent Industries Pty Ltd - ABN 48 096 997 152

Hobart: 102-104 Sunderland St, Derwent Park, Tas 7009
 Melbourne: 17 Metcalf Drive, Dandenong South, Vic 3175
 Sydney: 2 Ross Place, Wetherill Park, NSW, 2164
 Wodonga: 8 Stead st, Wodonga, VIC 3690
 Auckland: 36 Rangi Road, Takanini 2105, Auckland NZ

Ph: 61 3 6273 0729 Fx: 61 3 6273 0202
 Ph: 61 3 9792 1509 Fx: 61 3 9792 1061
 Ph: 61 2 9136 0466 Fx: 61 2 9136 0458
 Ph: 61 2 60140100
 Ph: 64 9 218 4953